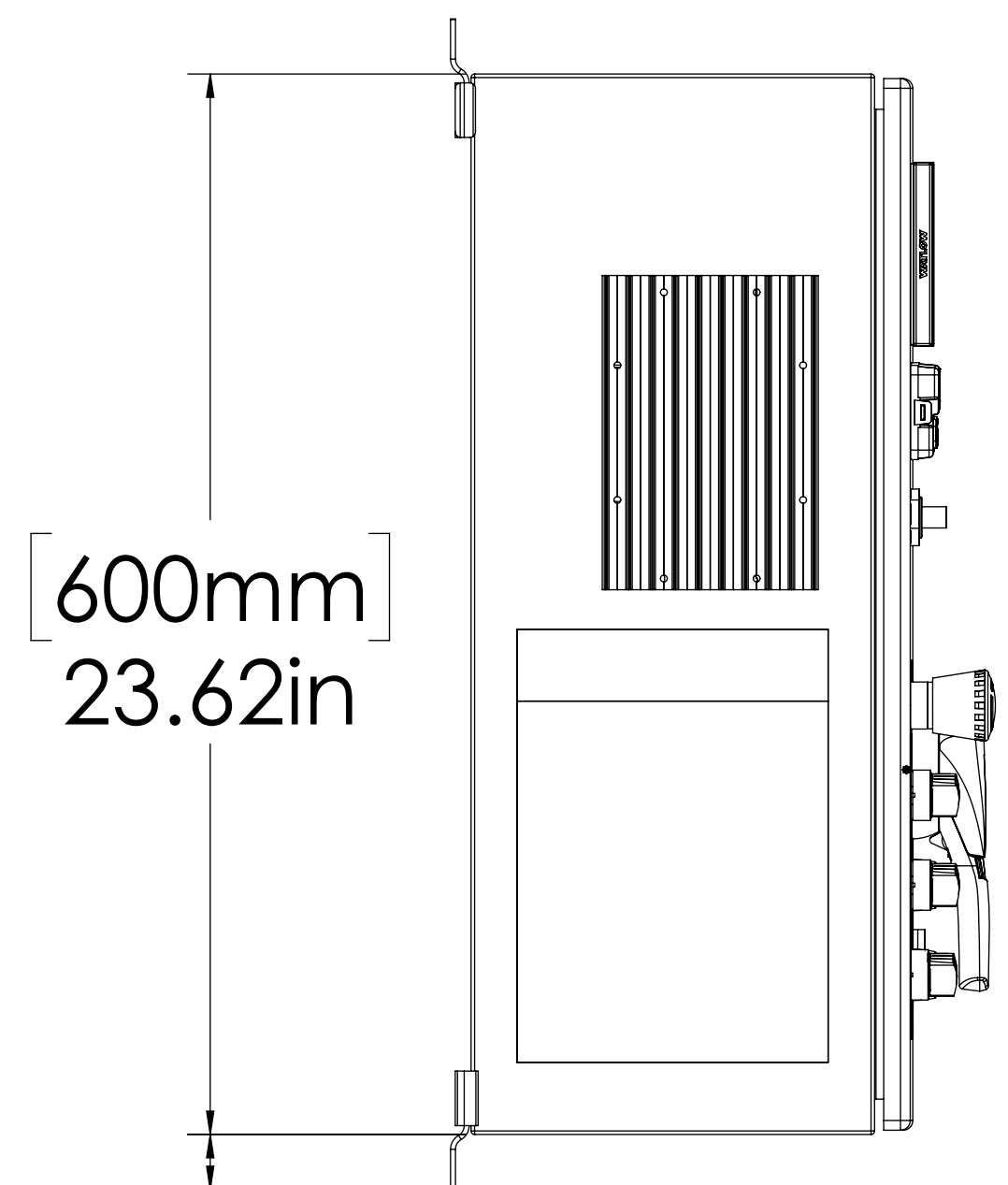


8 7 6 5 4 3 2 1

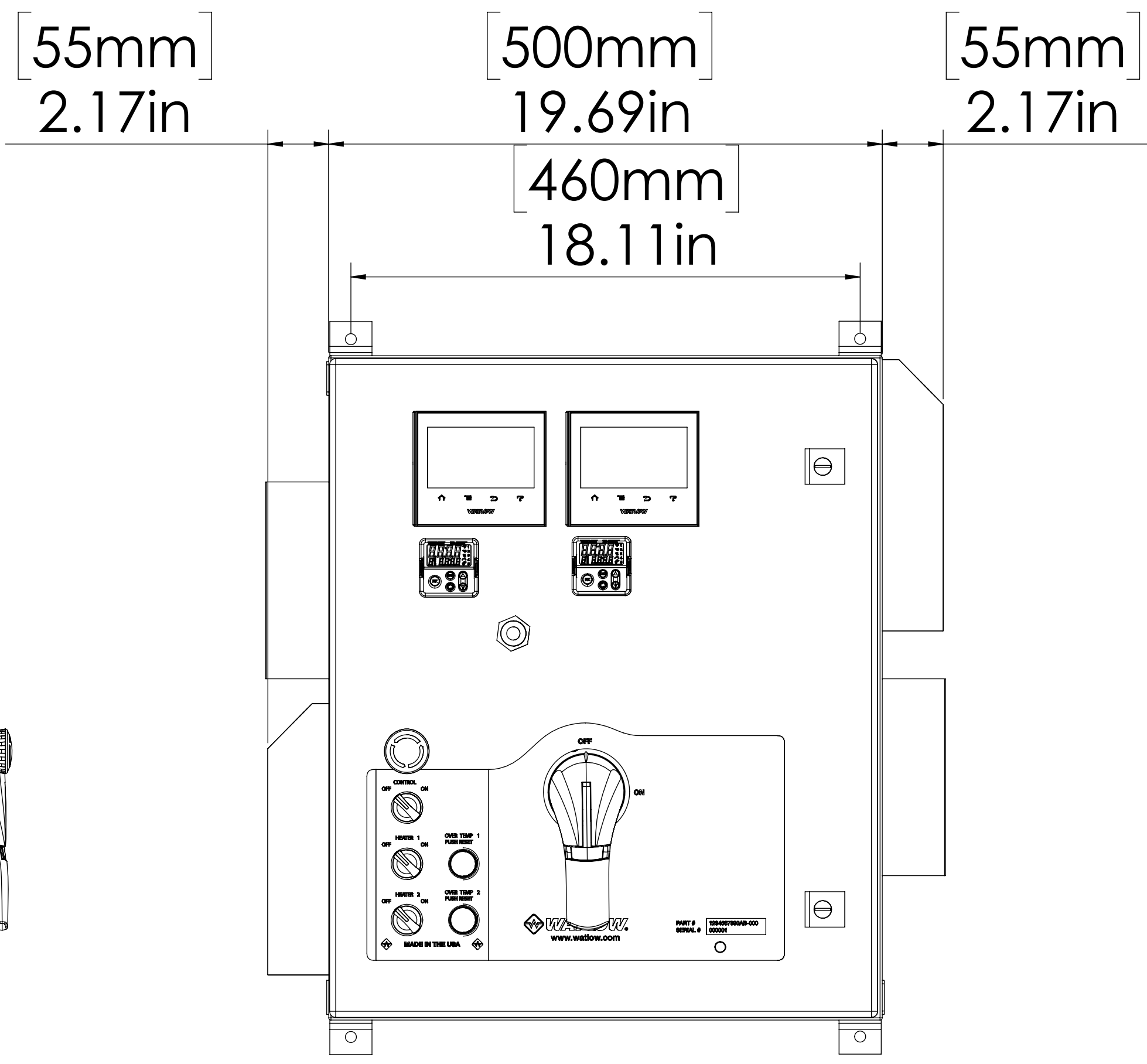
D
C
B
A



600mm
23.62in

31mm
1.25in
TYP.

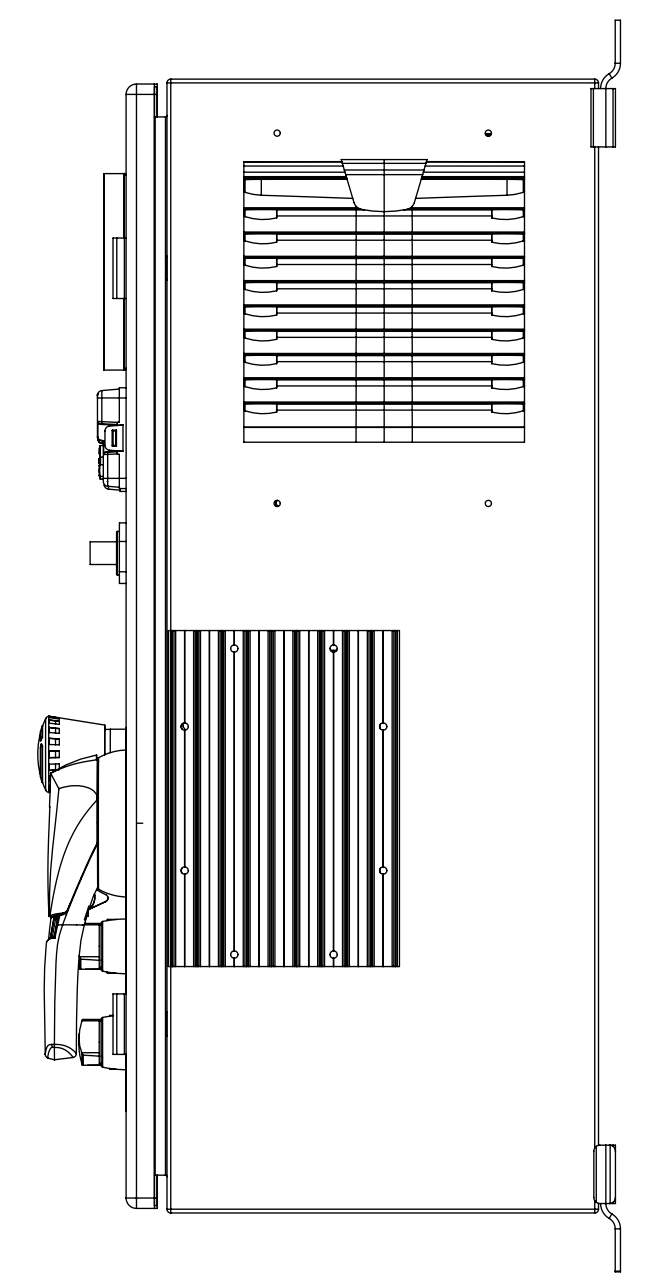
LEFT SIDE VIEW



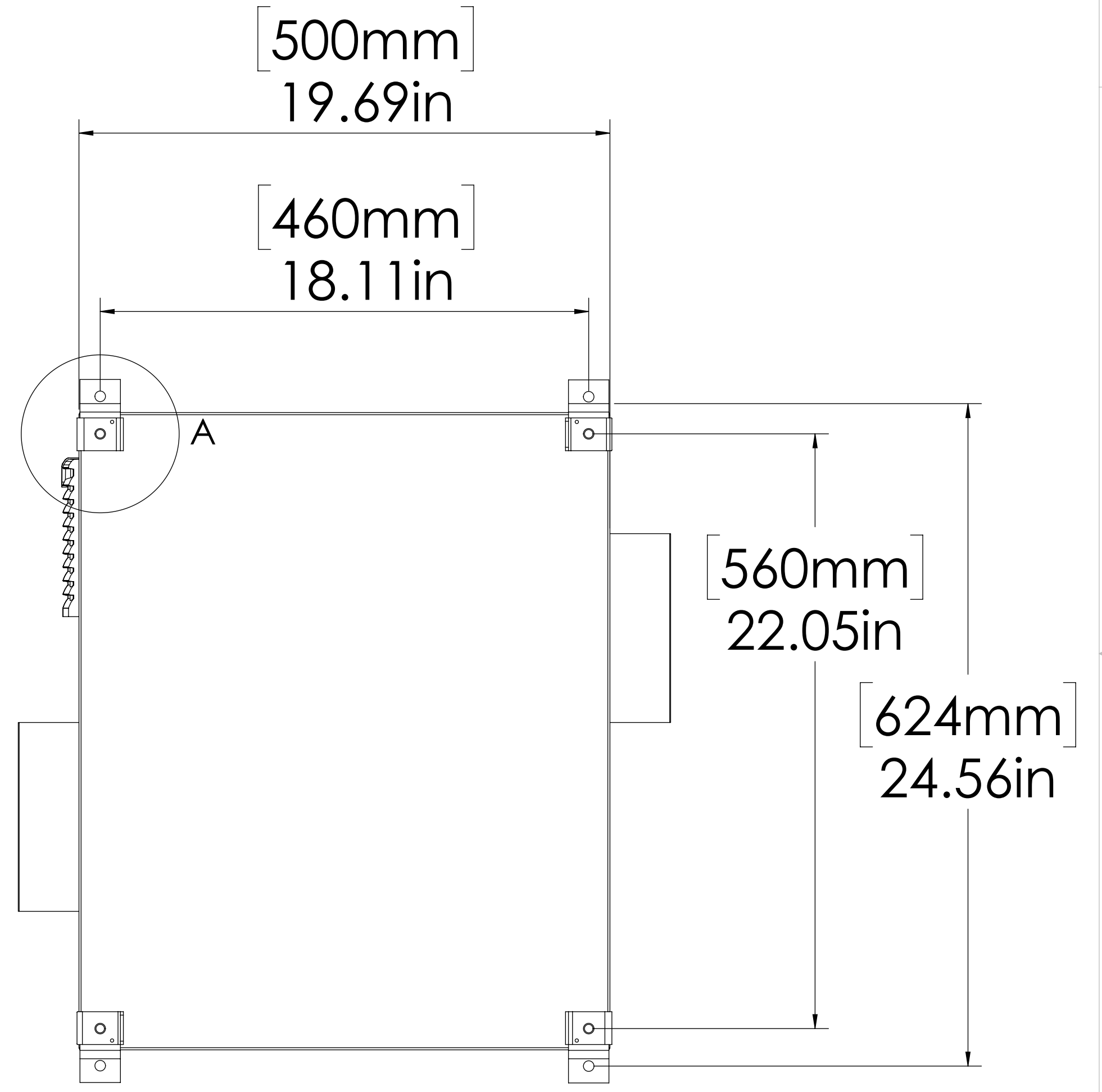
55mm 2.17in 500mm 19.69in 55mm 2.17in

460mm
18.11in

FRONT VIEW



RIGT SIDE VIEW



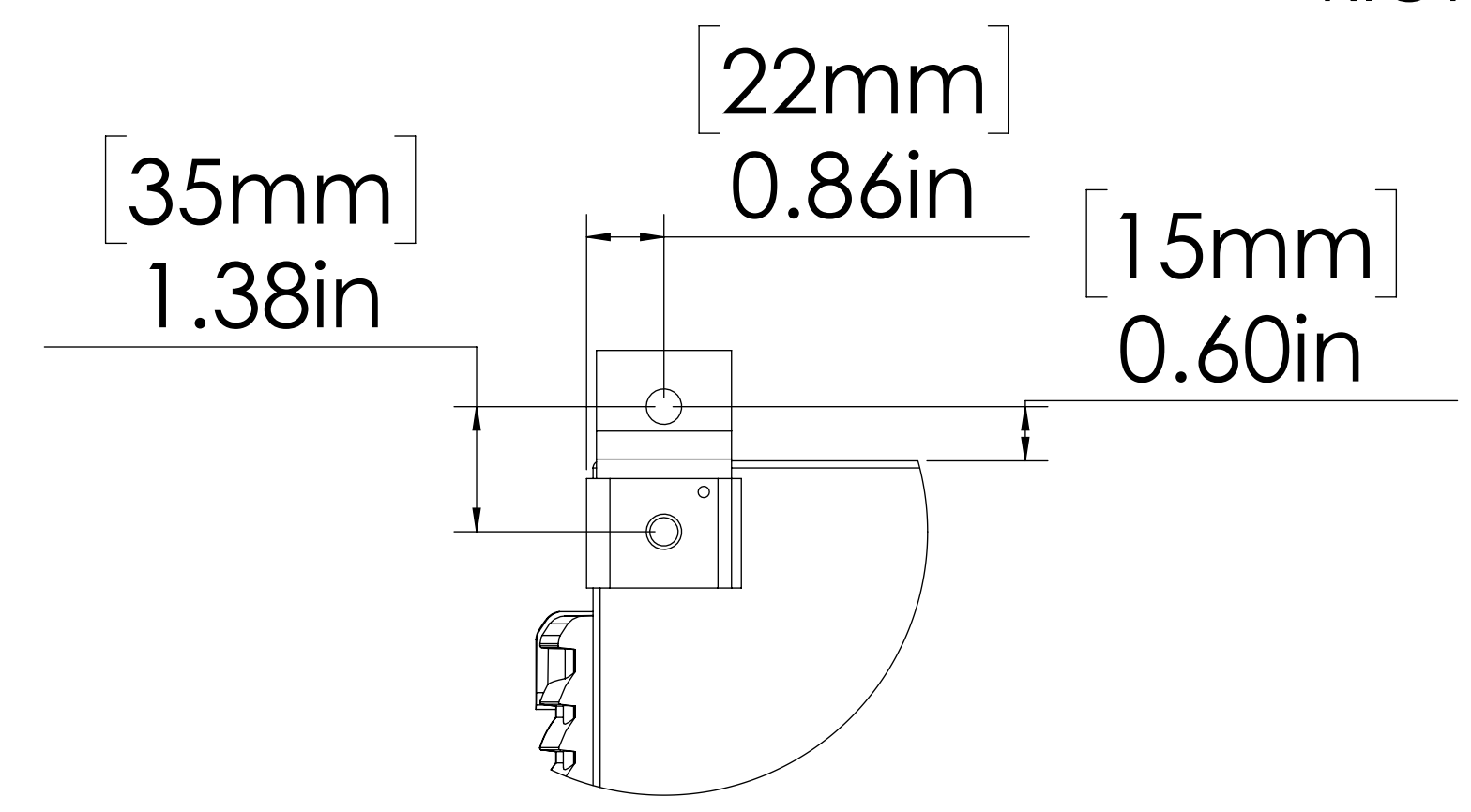
500mm
19.69in

460mm
18.11in

560mm
22.05in

624mm
24.56in

REAR VIEW
W/ NO FAN



DETAIL A
SCALE 1:2

UNLESS OTHERWISE SPECIFIED: DIMENSIONS AND TOLERANCING ARE IN INCHES AND PER ANSI Y14.5M		THIRD ANGLE PROJECTION	PRCH
TOLERANCES: X.XX ± 0.015 X.XX ± 0.010	X.XXX ± 0.005 ANGLES ± 2°		ENG
MATERIAL			MFG
ENTER MATERIAL	ENTER TITLE		
FINISH	PART NO.		
ENTER FINISH	C2 SMALL NON HAZ		
DWNN	ENTER INITIALS AND DATE	SCALE 1:4	SHEET 1 OF 1

NOTICE TO PERSONS RECEIVING THIS DRAWING
WATLOW CLAIMS PROPRIETARY RIGHTS TO THE MATERIAL HEREIN DISCLOSED.
IT IS SUPPLIED IN CONFIDENCE, WITHOUT PREJUDICE TO ANY PATENT RIGHTS OF WATLOW, AND MAY NOT
BE REPRODUCED OR USED TO MANUFACTURE ANYTHING SHOWN THEREIN WITHOUT WATLOW'S WRITTEN PERMISSION.

WATLOW 16410 LANGFELD ROAD, BUILDING G
HOUSTON, TX, 77092
www.watlow.com

8 7 6 5 4 3 2 1